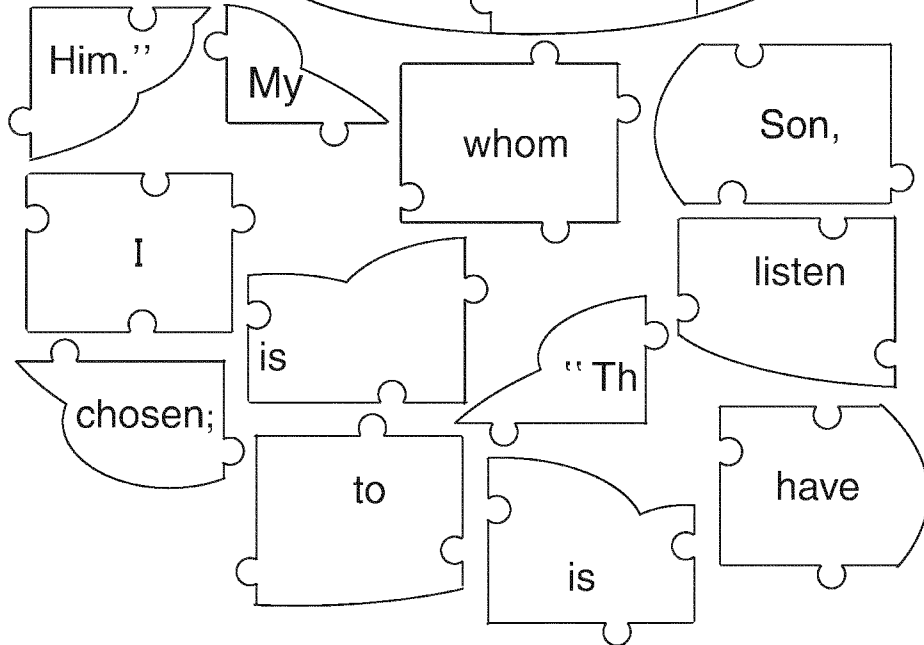
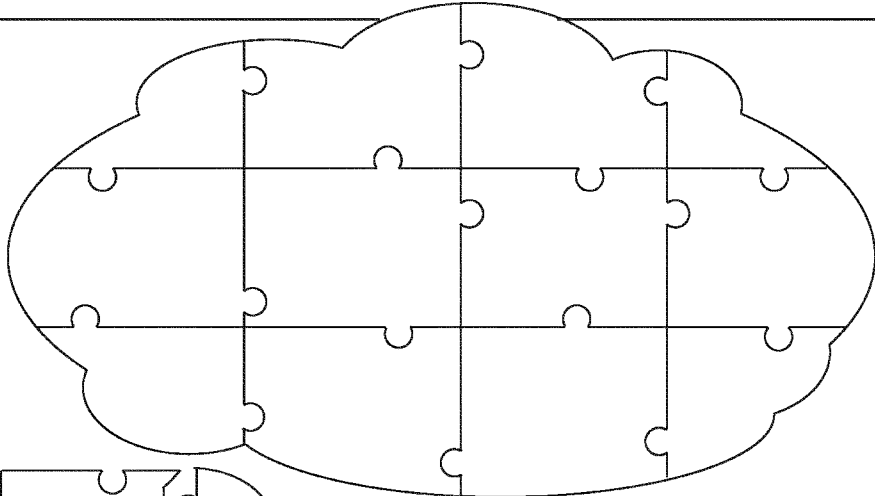




While He was speaking, a cloud appeared and covered them ...
A voice came from the cloud.

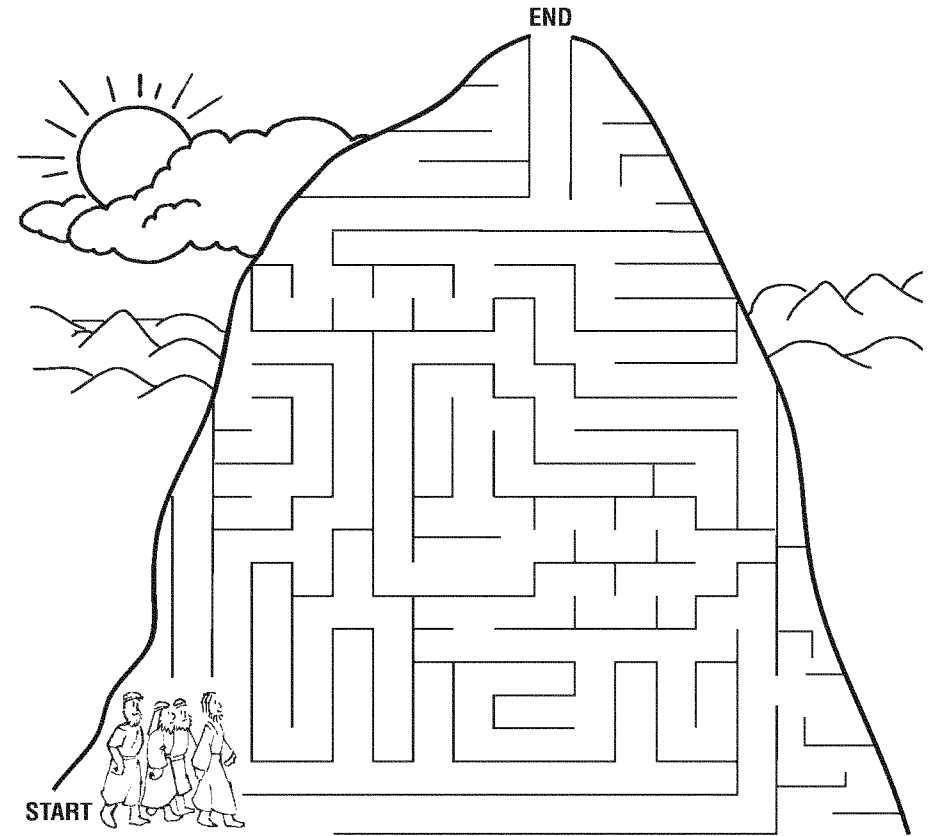
Fit the pieces in the puzzle to find out what the voice said.



Jesus Is Transfigured

Jesus took Peter, James and John with Him and went up onto a mountain to pray.

Find the route to the top of the mountain.



Enter your **SECRET CODE** to unlock games @ games.childrensbulletins.com **SECRET CODE**
FHN894

As Jesus was praying, something happened.

Use the code to find out what it was.

♡ = A	♡ = E	★ = I	☆ = M	⊖ = Q	□ = U	▣ = Y
♥ = B	♡ = F	☆ = J	★ = N	◐ = R	■ = V	◻ = Z
♡ = C	♡ = G	★ = K	○ = O	◑ = S	▢ = W	
♡ = D	☆ = H	★ = L	● = P	⊙ = T	▣ = X	



Code-breaking puzzle grid:

Row 1: ♡ ● ● ♡ ♡ ● ♡ ★ ♡ ♡

Row 2: ○ ♡ ☆ ★ ● ♡ ♡ ♡ ♡

Row 3: ♡ ☆ ♡ ★ ♡ ♡ ♡ ♡ ☆ ♡

Row 4: ☆ ★ ● ♡ ☆ ○ ⊙ ☆ ♡ ●

Row 5: ♥ ♡ ♡ ♡ ☆ ♡ ♡ ●

Row 6: ♥ ● ★ ♡ ☆ ⊙ ♡ ●

Row 7: ♡ ♡ ☆ ♡ ● ☆ ○ ♡

Row 8: ☆ ★ ♡ ☆ ⊙ ★ ★ ☆ ♡

What else happened?

Connect the dots. Write the words in order on the lines below.

